

...

AGRIVOLTAIC

CONFERENCE

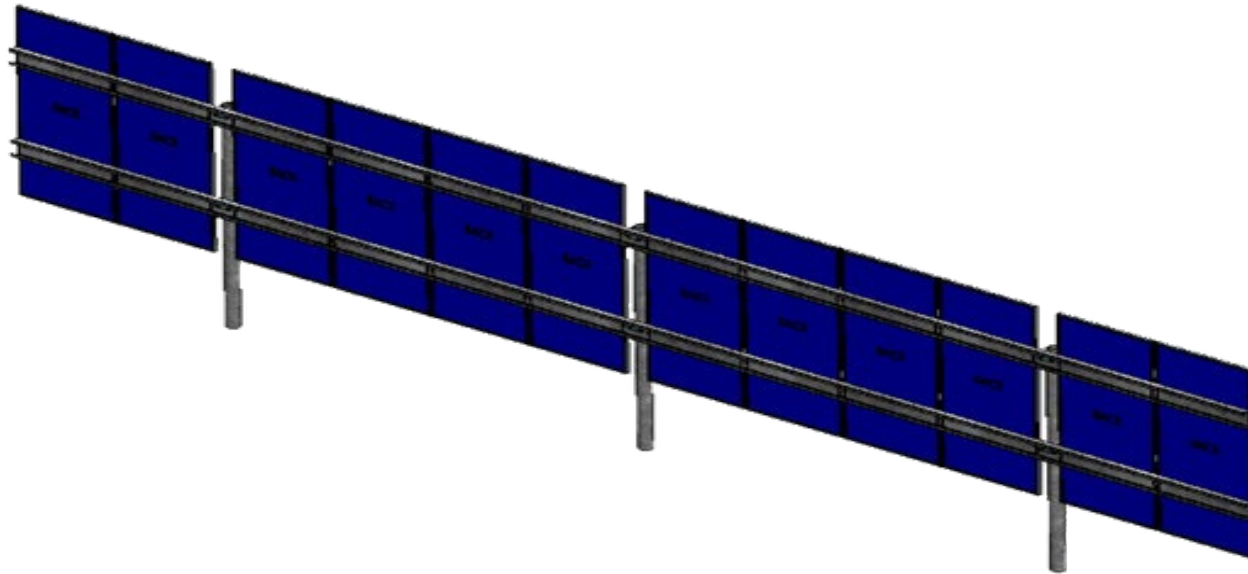


December 11, 2023

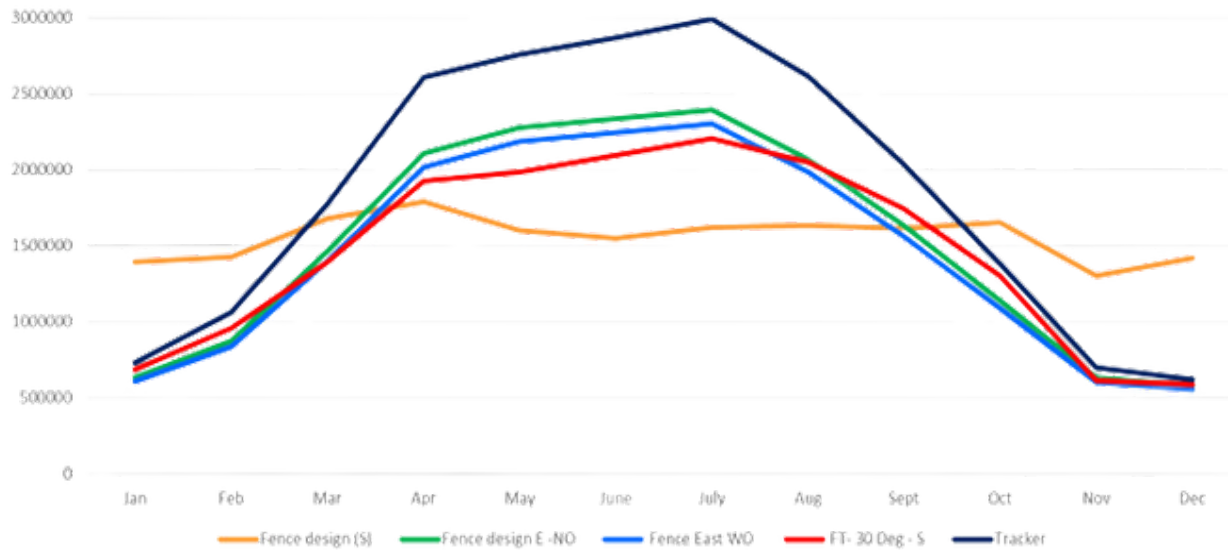


www.polarracking.com

AGRIVOLTAICS - FENCE TYPE DESIGN - OPTIMIZED



POWER PRODUCTION DIFFERENCES - VARIOUS DESIGNS



Fixed Tilt 30° Angle
Facing South

Fence Type 90° Vertical
Facing East (Clear)

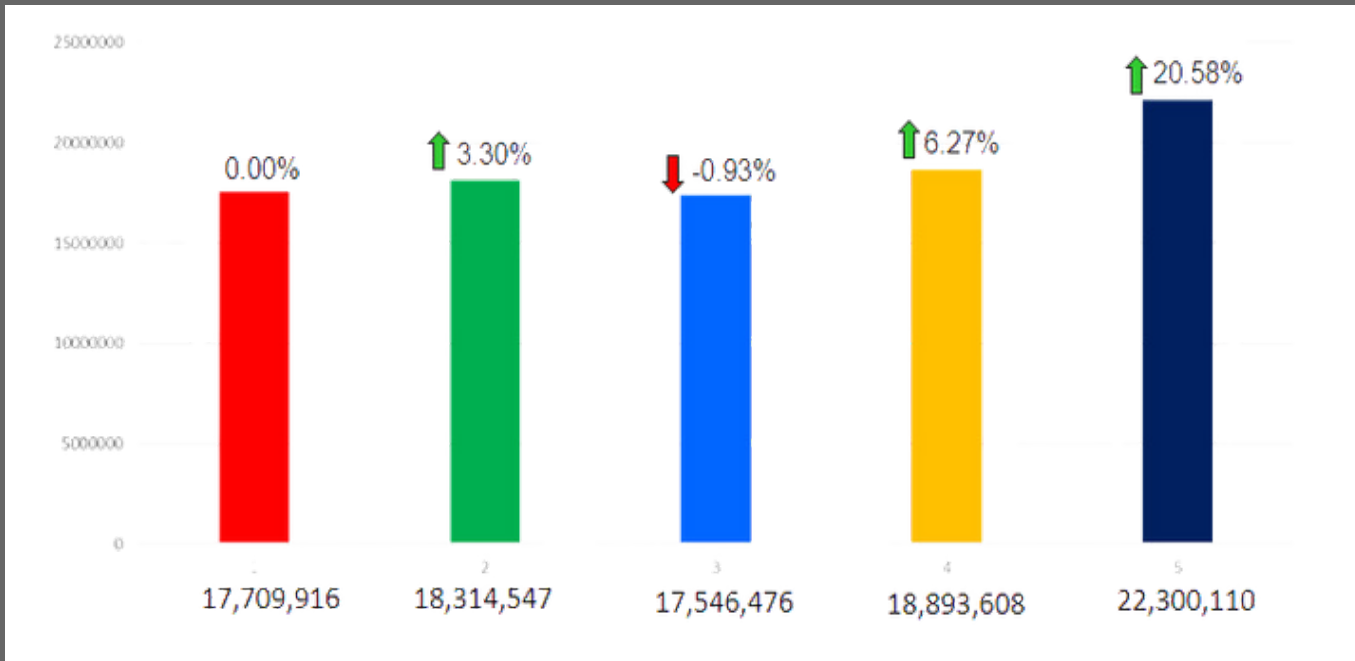
Fence Type 90° Vertical
Facing South (Clear)

Fence Type 90° Vertical
Facing East (Optimized)

Tracker +/- 60° East /
West)



ANNUAL POWER PRODUCTION COMPARISONS



Fixed Tilt 30° Angle
Facing South

Fence Type 90° Vertical
Facing East (Clear)

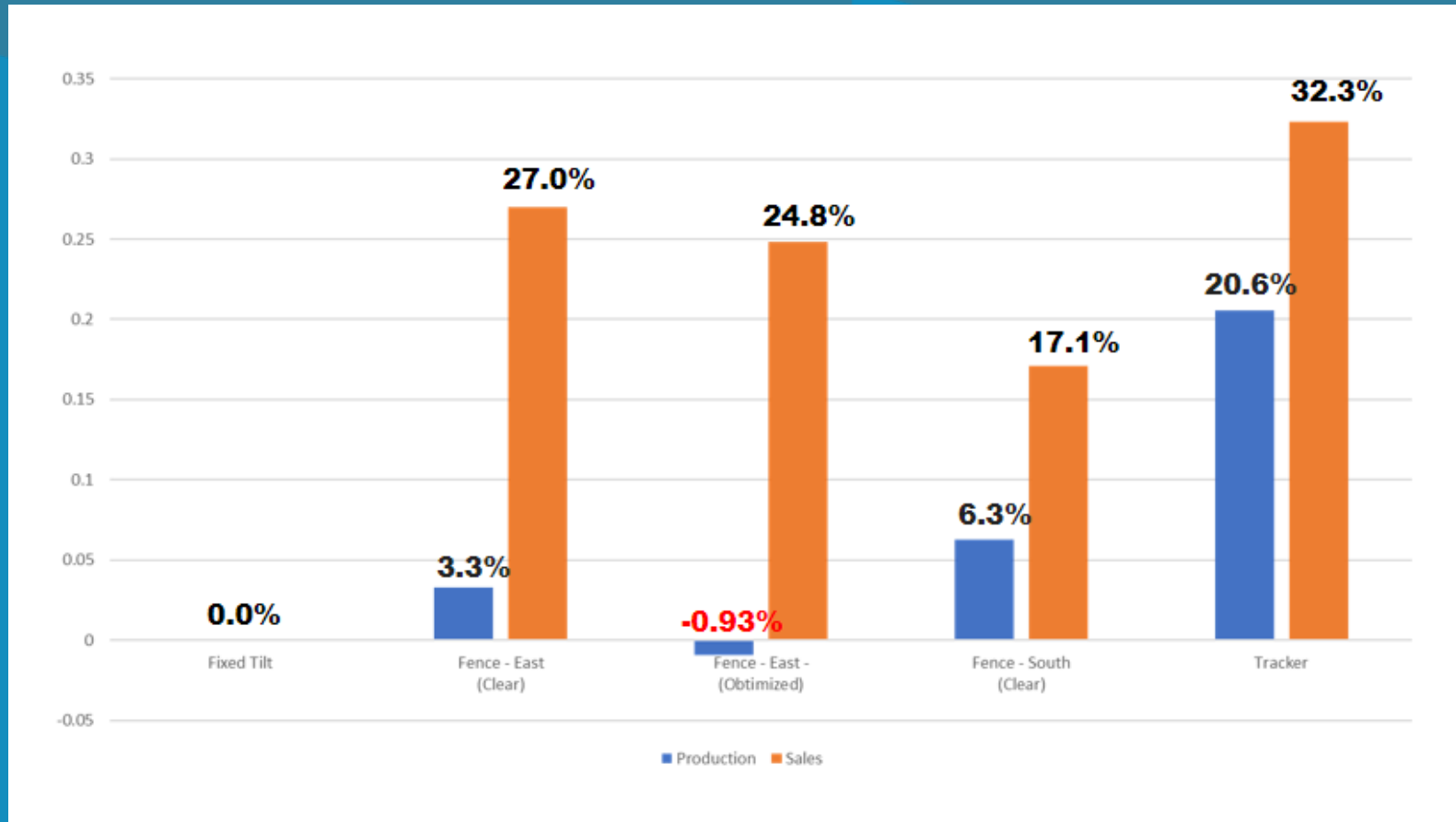
Fence Type 90° Vertical
Facing South (Clear)

Fence Type 90° Vertical
Facing East (Optimized)

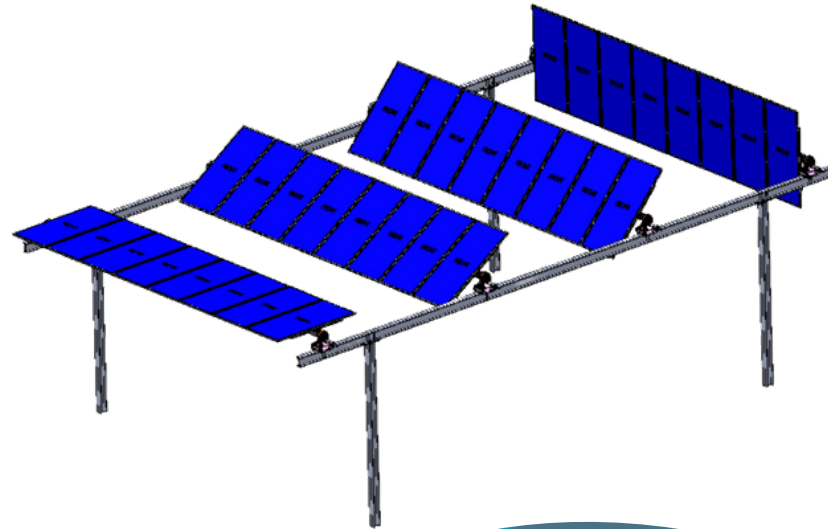
Tracker +/- 60° East /
West)



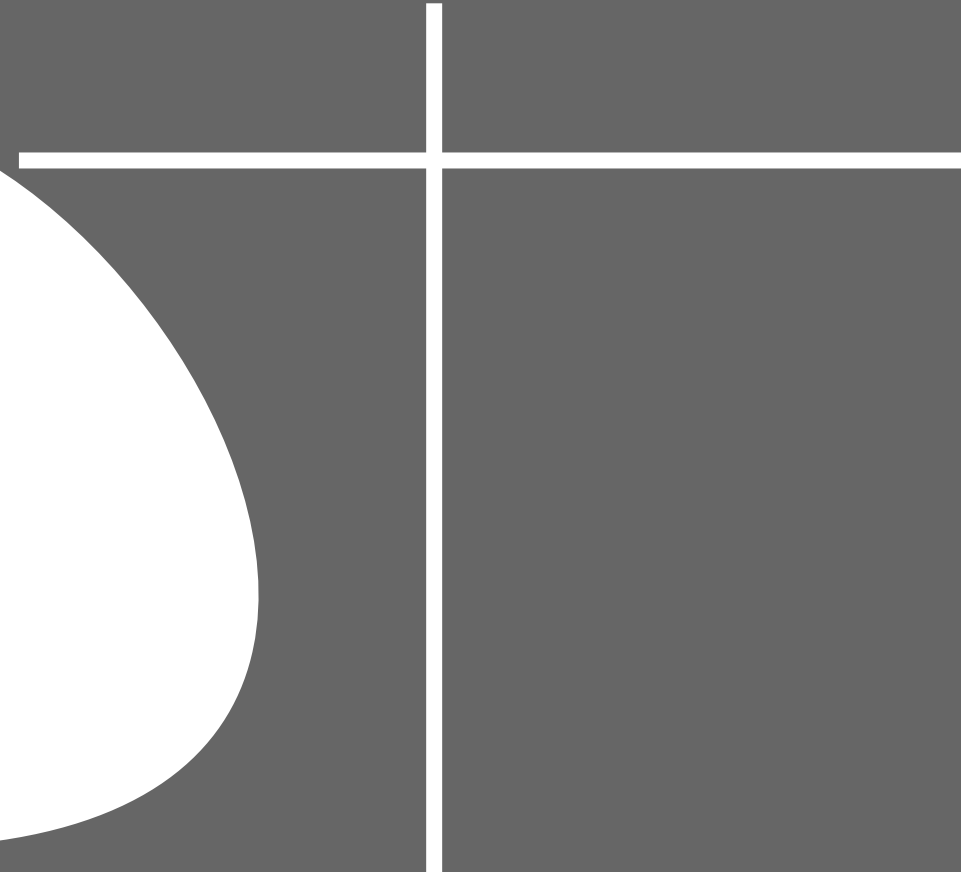
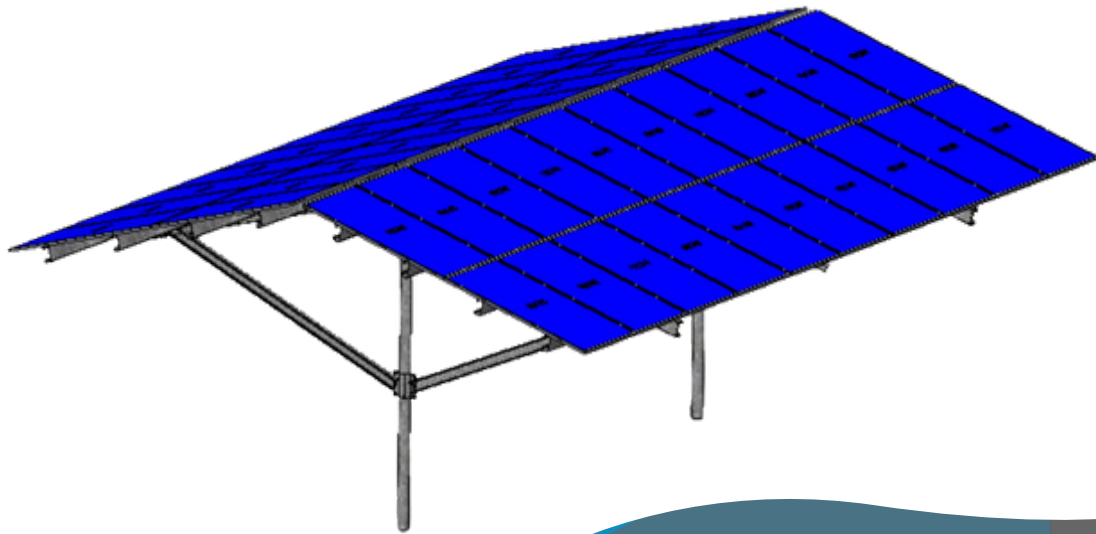
PRODUCTION VS. SALES IN ALBERTA



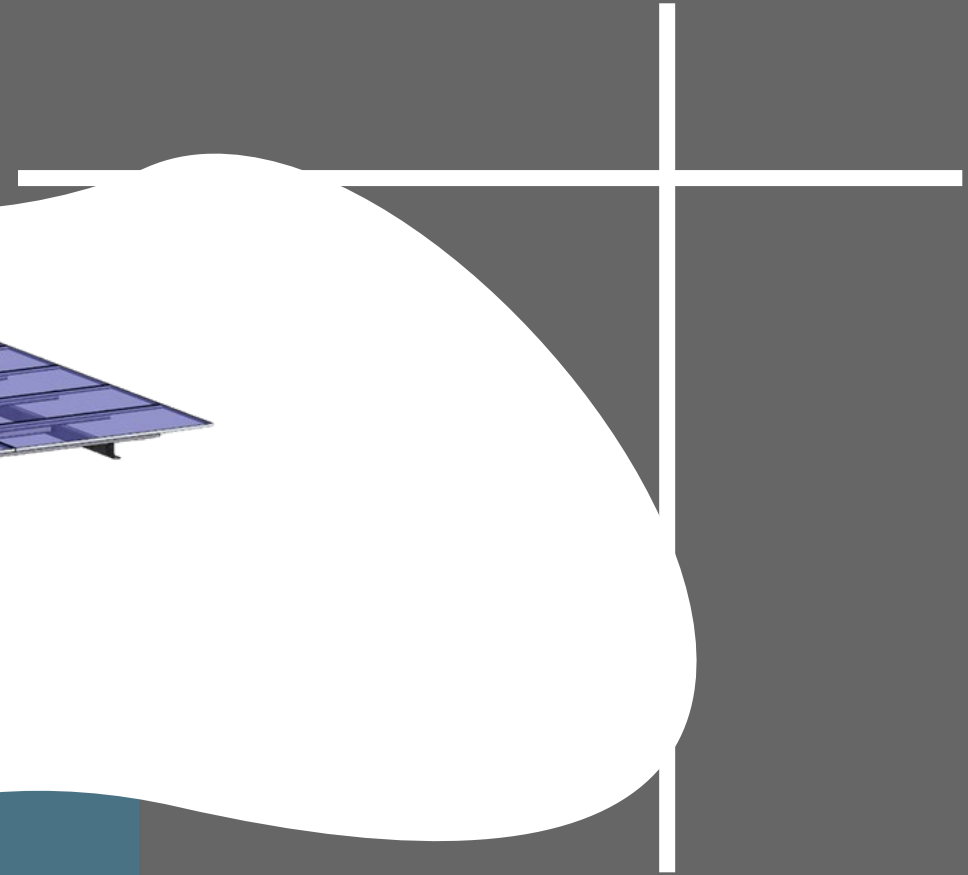
AGRIVOLTAICS - MULTI TRACKER CANOPY

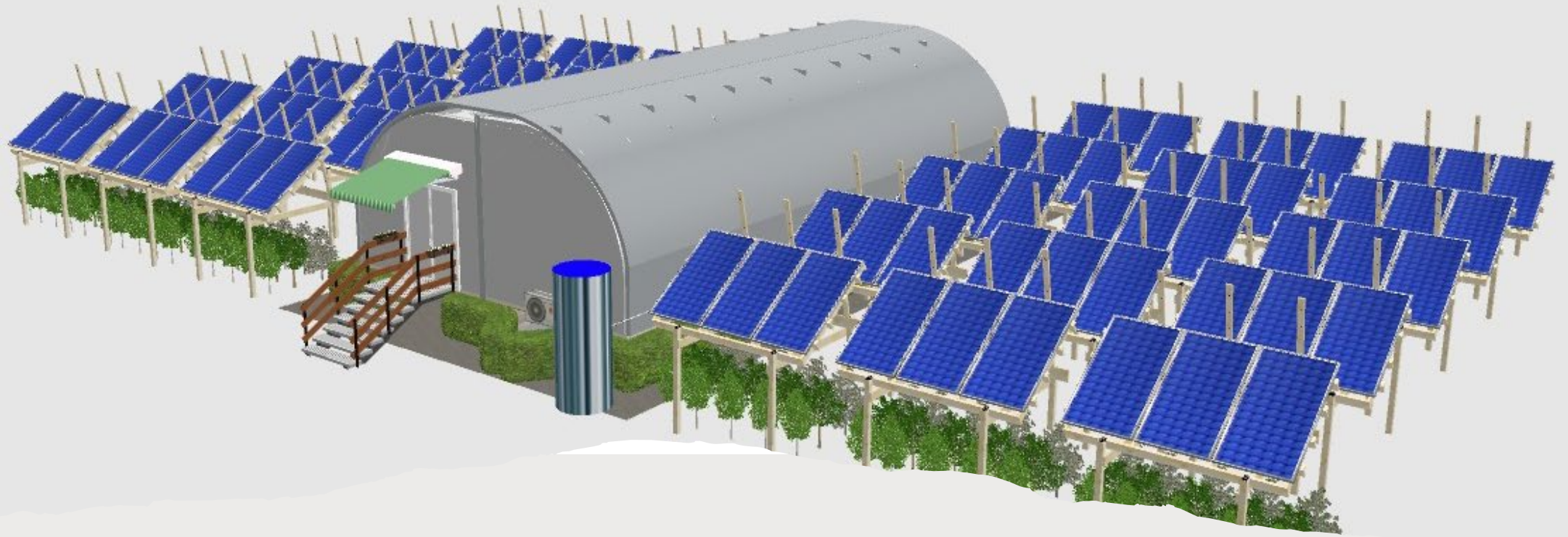


AGRIVOLTAICS - UMBRELLA TYPE DESIGN



2P - SINGLE AXIS TRACKER



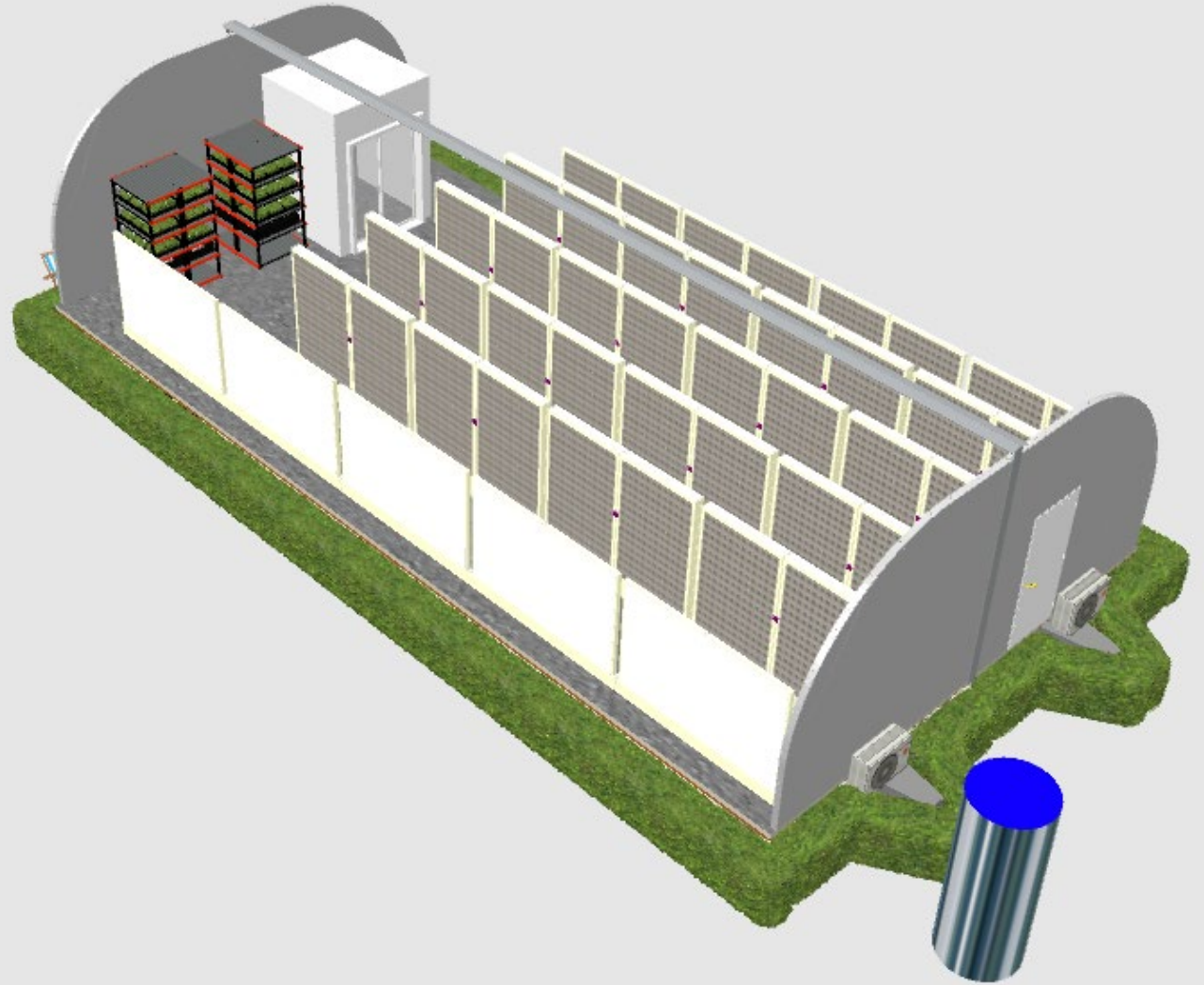


Agrotunnel Agrivoltaics Hybrid for Sustainable Food Production





Over 11,500 plant in 1,000 sq ft.







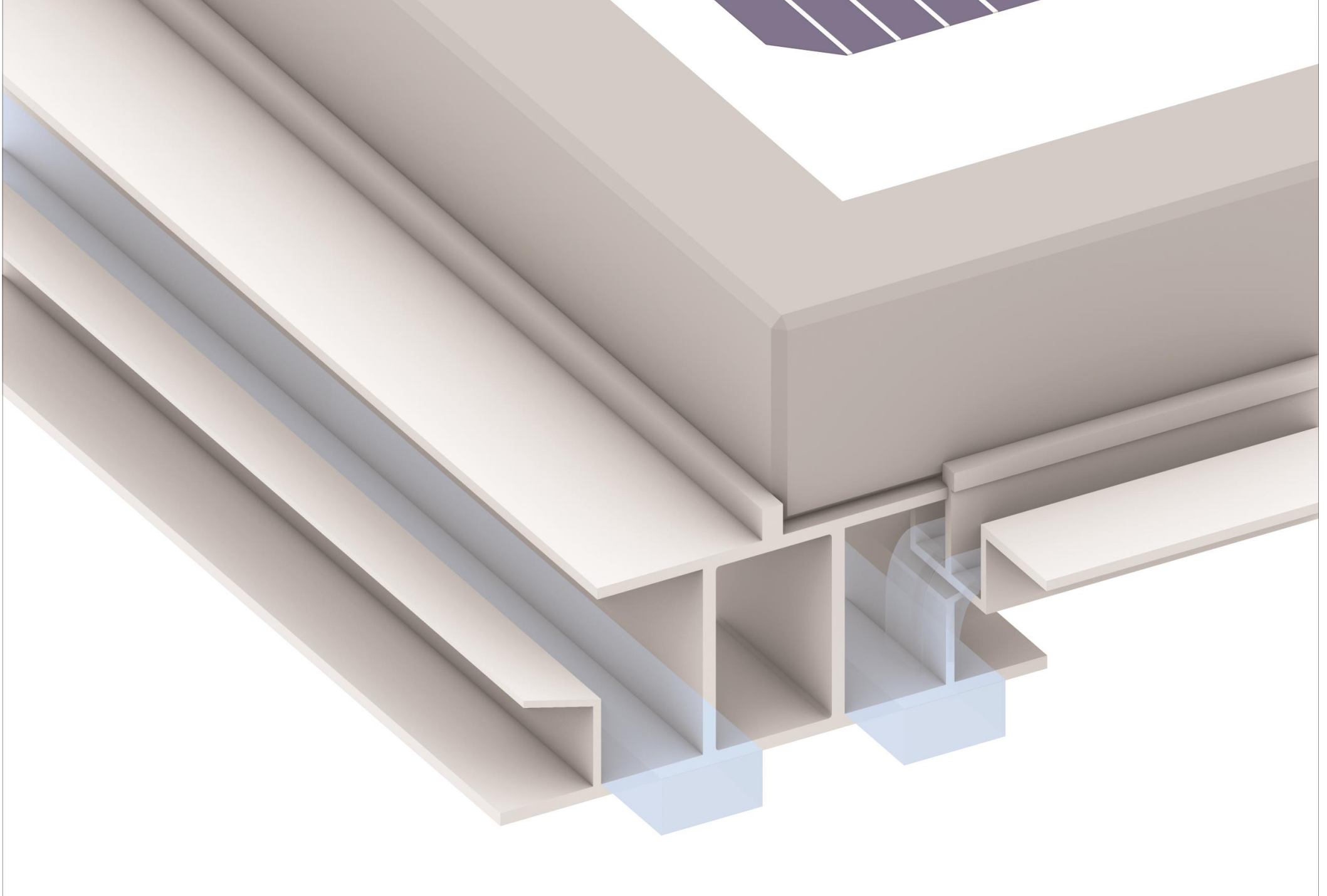


Agrivoltaics

VCT Concepts













© 2022 VCT Group Inc. All rights reserved. For internal use only - Not for redistribution.



MANUFACTURING + QUALITY CONTROL PROCESS



Manufacturing Capacity

Polar Racking currently has dual source manufacturing for all major components for fixed and ground mount racking.

Our current capacity is:

- 1.5 GW/year for fixed racking
- 1.5 GW/year for SAT product line
- 200 MW for carports
- 50-70 MW for Agrivoltaic



Quality Control Plan

Incoming Material Inspection

Perform visual inspection, verify sheet thickness and coating thickness.

Mill Certificate Verification

Raw material coupons to third-party lab for verification. Fasteners to third-party lab for ultimate tensile strength.

First Article Inspection

Dimensional report for 5pcs, 100% inspection.

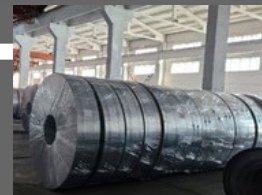


Manufacturing Locations

Ontario, Canada
Michigan, USA
Florida, USA
Asia



Pack density for shipping:
2 MW on 3 Containers
or 0.67MW/Container





Homegrown™

INNOVATION CHALLENGE

**This is about more than
berries: it's about the future of
food in Canada.**

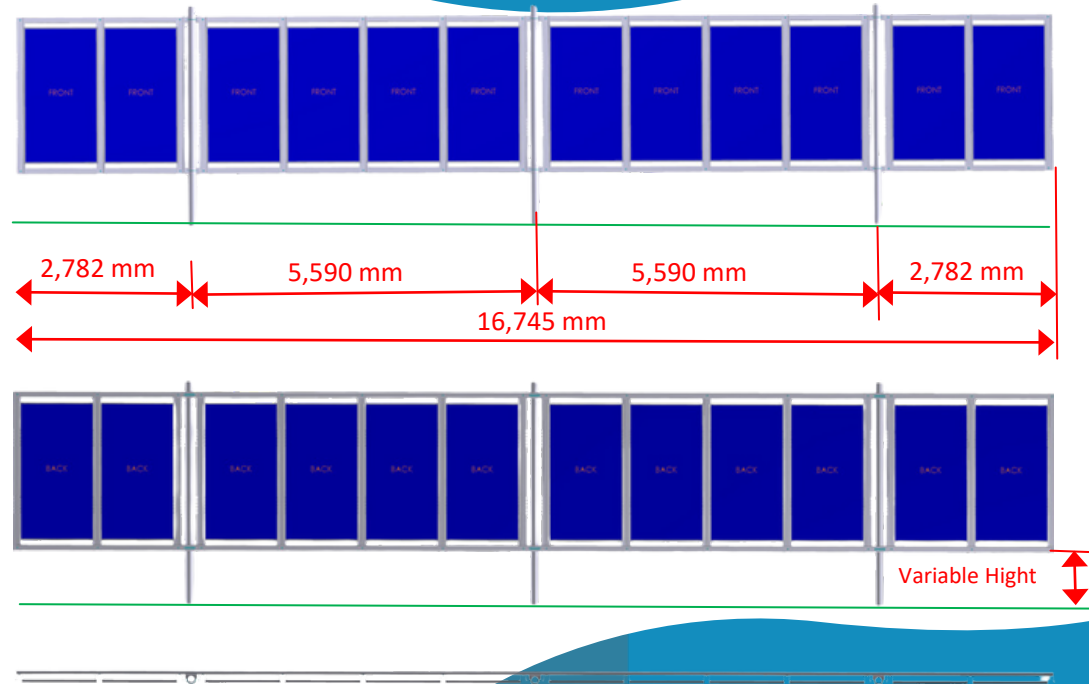
Focus #1 – A climate resilient, energy-efficient growing structure

Focus #2 – Harness the power of the sun using Agrivoltaics

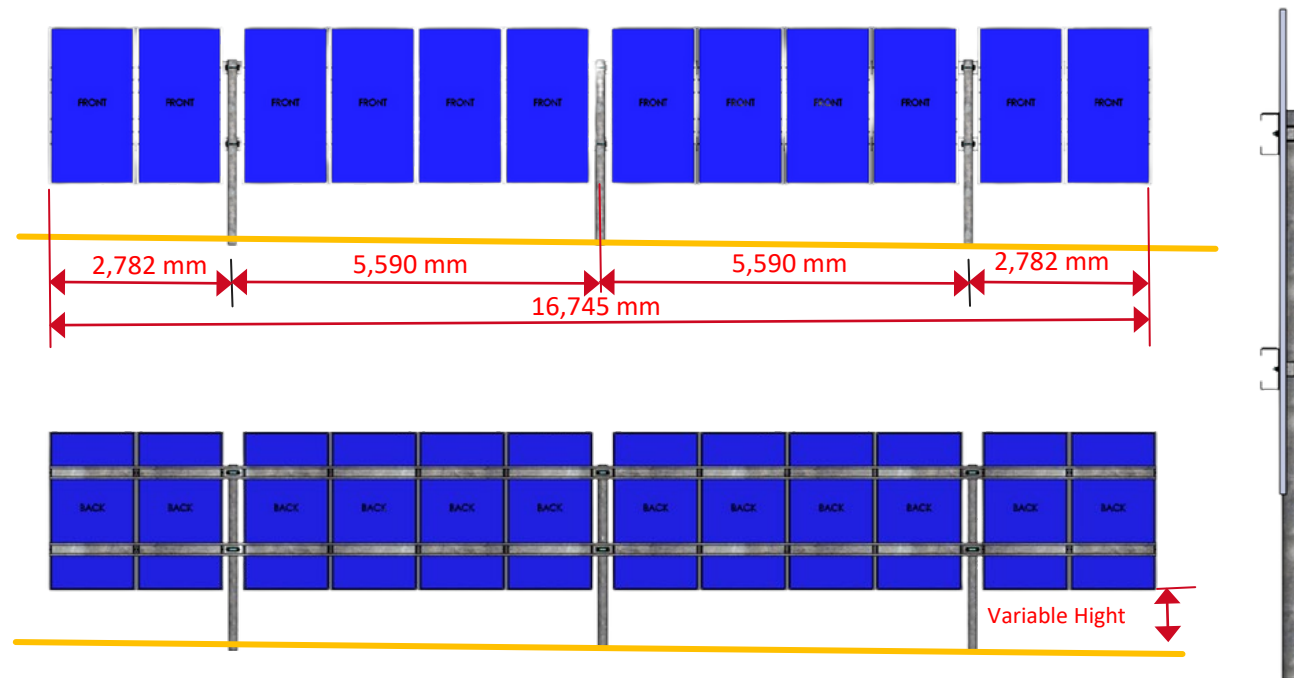
Focus #3 – Moveable & easy to deploy

Focus #4 – High yields of diverse crops

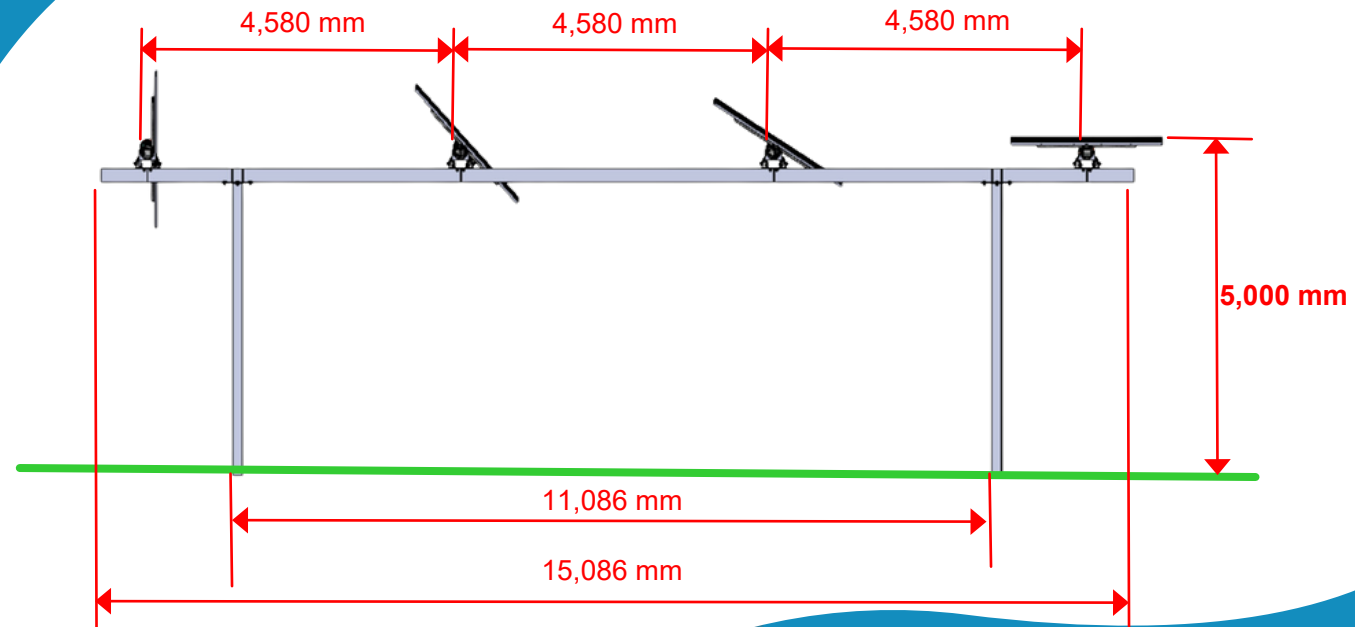
AGRIVOLTAICS - FENCE TYPE DESIGN - WITHOUT OBSTRUCTIONS



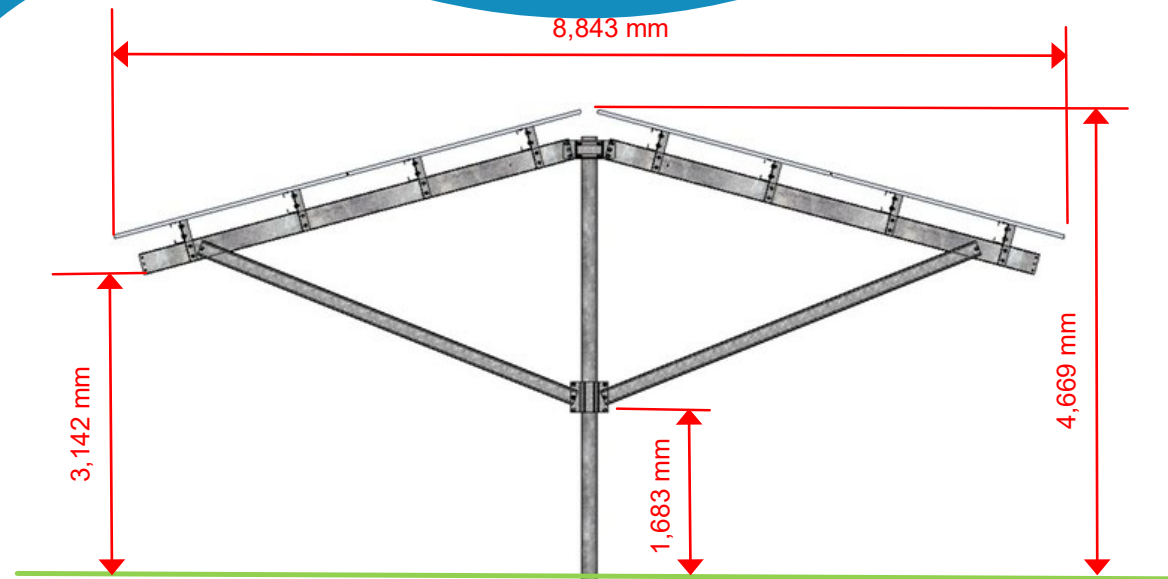
AGRIVOLTAICS - FENCE TYPE DESIGN - OPTIMIZED



AGRIVOLTAICS - MULTI TRACKER CANOPY



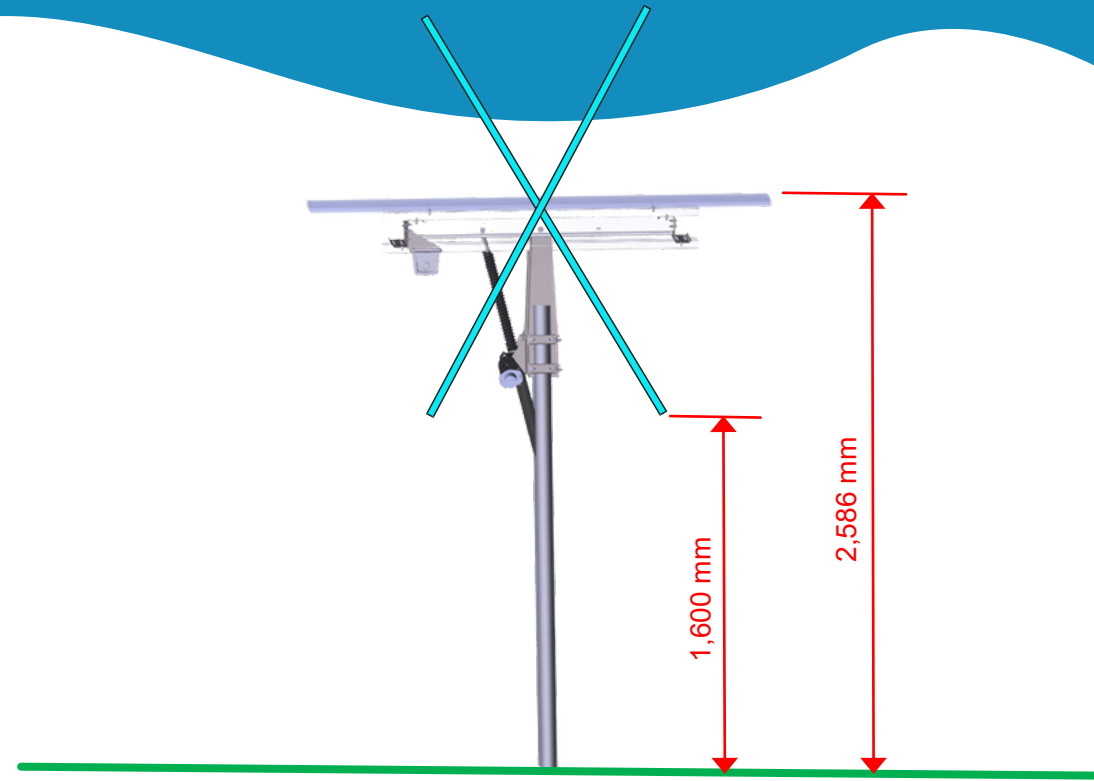
AGRIVOLTAICS - UMBRELLA TYPE DESIGN



2x 2Px10 = 40 Modules per table



1P - SINGLE AXIS TRACKER



2P - SINGLE AXIS TRACKER

